

# BAXI

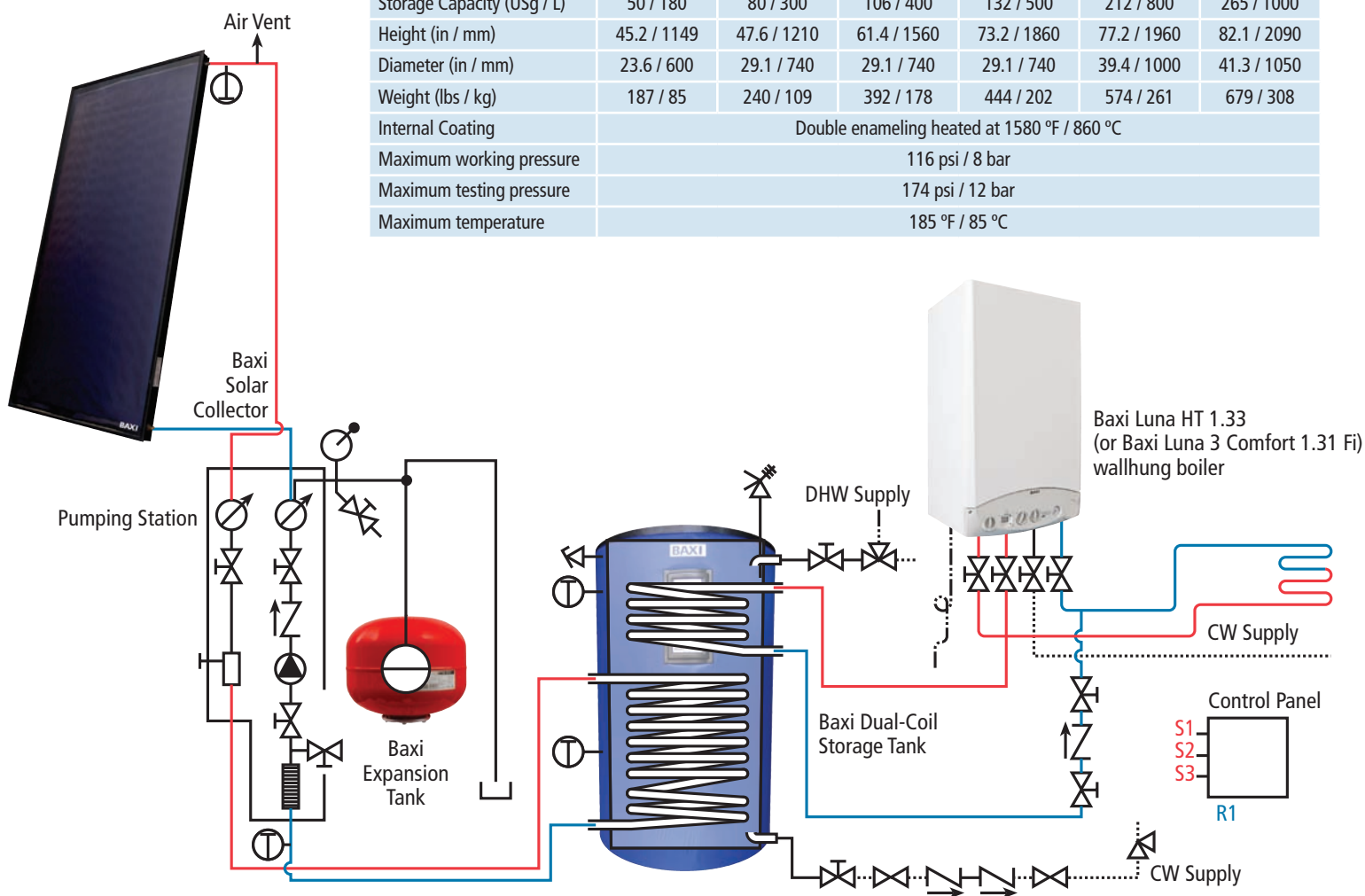


Baxi Dual-Coil Indirect Storage Tanks

# Baxi Dual-Coil Indirect Storage Tanks

## Baxi Dual-Coil Indirect Storage Tanks – Model Sizes & Technical Features

Storage Capacity (USg / L)	50 / 180	80 / 300	106 / 400	132 / 500	212 / 800	265 / 1000
Height (in / mm)	45.2 / 1149	47.6 / 1210	61.4 / 1560	73.2 / 1860	77.2 / 1960	82.1 / 2090
Diameter (in / mm)	23.6 / 600	29.1 / 740	29.1 / 740	29.1 / 740	39.4 / 1000	41.3 / 1050
Weight (lbs / kg)	187 / 85	240 / 109	392 / 178	444 / 202	574 / 261	679 / 308
Internal Coating	Double enameling heated at 1580 °F / 860 °C					
Maximum working pressure	116 psi / 8 bar					
Maximum testing pressure	174 psi / 12 bar					
Maximum temperature	185 °F / 85 °C					



### Key Components of Baxi Dual-Coil Tanks

- ◆ MG anode corrosion protection
- ◆ Accessible inspection port for interior cleaning
- ◆ Upper heat exchanger coil
- ◆ Lower heat exchanger coil
- ◆ Jacket and insulation to reduce heat loss and maximize efficiency of the tank
- ◆ Side-mounted thermometer
- ◆ Upper temperature sensor thermal wells
- ◆ Lower temperature sensor thermal wells

**Baxi Dual-Coil Indirect Storage Tanks** are ideal for any solar water heating system, or in applications designed for the future addition of solar thermal heating. In dual-coil mode, the lower heat exchanger coil facilitates heat transfer from the solar collectors to the domestic hot water, while the upper heat exchanger coil allows reheating of the water content by a supplemental boiler. For solar-ready, mono mode (involving domestic hot water heating with a boiler or heat pump), both indirect coils can be connected in series.

The Baxi solar storage tank is made of steel (quality no. 6837, standard DIN EN 10120), coated with a double enameling on the inside surface.

Baxi tanks optimize system efficiency with insulation that helps significantly to reduce the heat loss of the tank. The four smaller sized tanks (47 gal/ 180 L to 132 gal/ 500 L) are clad in 2-inch (50 mm) thick polyurethane insulation, with a density of 2.5 lbs/ft<sup>3</sup> (40 kg/m<sup>3</sup>). The 211 gal/ 800 L and 264 gal/ 1000 L tanks are insulated with 4 inches (10mm) of foam.

Baxi storage tanks features a side-mounted thermometer, with a range from 0 to 120 °C (32 to 248°F). They also contain upper and lower temperature sensor thermal wells, as well as an inspection and cleanout opening in the tank.

# BAXI

**Marathon International** Exclusive North American Distributor for **BAXI** Products  
 1815 Sismet Road, Mississauga, Ontario L4W 1P9, Canada  
 1-800-461-4657 ◆ info@wallhungboilers.com

[www.wallhungboilers.com](http://www.wallhungboilers.com)

